

SBL 50-12HR (227w/cell)

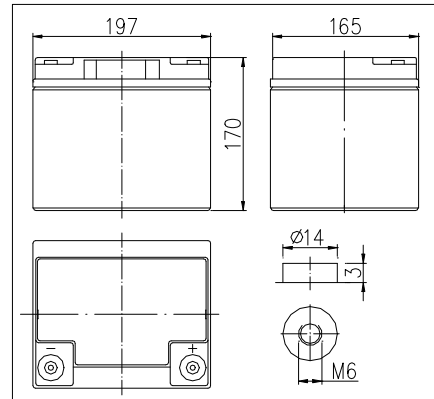
High Performance battery with 10-12 years design life (EUROBAT)

Status: 01-2014

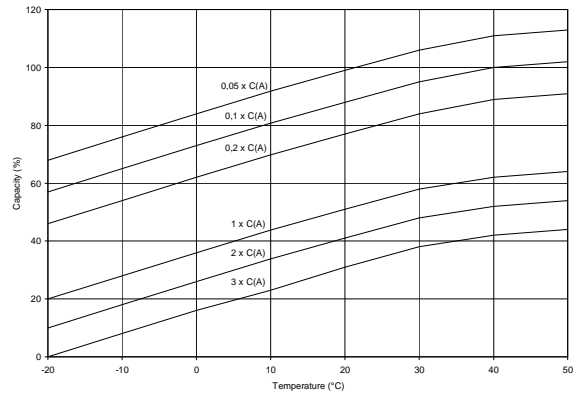
Specifications

Nominal Voltage		12V
Capacity (25°C@1.60V/C)		227W@10min-rate
Dimensions	Length	197mm (7.76inch)
	Width	165mm (6.50inch)
	Height	170mm (6.69inch)
	Total Height	170mm (6.69inch)
Approx. Weight		13.0kg (28.7lbs)
Maximum charging current		12A
Maximum discharge current		400A (5sec.)
Internal resistance (Fully charged, 25°C)		Approx. 8mΩ
Capacity affected by temperature (10hr)	40°C	102%
	25°C	100%
	0°C	85%
	-15°C	65%
Self-discharge (25°C)	3 month	Remaining Capacity: 91%
	6 month	Remaining Capacity: 82%
	12 month	Remaining Capacity: 65%
Nominal operating temperature		25°C (77°F)
Operating temperature range		-15°C ~ 50°C (5°F ~ 122°F)
Float charging voltage (25°C)		13.65 to 13.80V
Cyclic charging voltage (25°C)		14.50 to 14.90V
Absorbent glass mat technology		
ABS (UL94-HB) container		Recognized by UL & CE

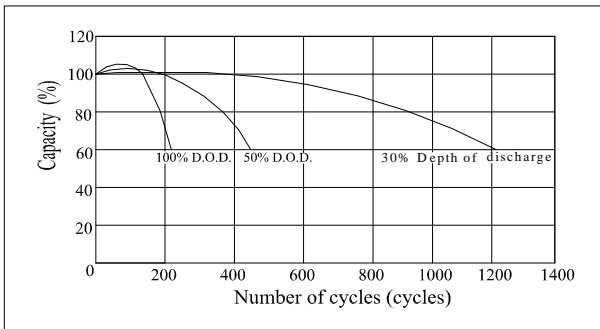
Dimensions



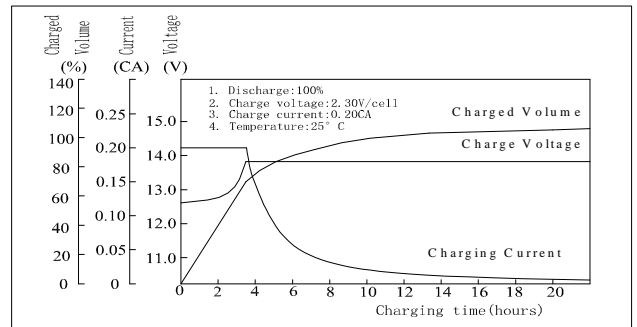
Temperature Effects in Relation to Battery Capacity



Cycle Life (25°C)



Charging Characteristics (25°C)



Constant Current Discharge Characteristics (Ampere per Battery, 25°C)

F.V/TIME	6min	8min	10min	15min	20min	30min	60min	90min	120min	180min
9.60V	172,31	147,28	126,75	93,51	75,36	53,35	28,45	22,7	16,27	11,64
9.90V	160,86	139,54	119,88	89,49	70,97	51,38	27,4	21,92	15,71	11,24
10.2V	155,92	136,19	116,92	87,79	69,08	50,51	26,93	21,53	15,43	11,04
10.5V	150,79	131,09	111,2	84,75	68,03	49,72	26,85	21,25	15,23	10,90
10.8V	145,62	125,92	105,44	81,63	66,95	48,89	26,73	21,02	15,07	10,78

Constant Power Discharge Characteristics (Watt per Battery, 25°C)

F.V/TIME	6min	8min	10min	15min	20min	30min	60min	90min	120min	180min
9.60V	1854,11	1584,97	1361,55	1006,35	823,4	583,32	311,16	248,93	177,17	127,46
9.90V	1730,5	1501,24	1289,95	963,2	775,55	561,5	299,42	239,3	170,32	122,53
10.2V	1677,56	1465,8	1258	944,55	754,77	552,02	294,25	234,84	167,15	120,25
10.5V	1622,52	1410,29	1196,19	911,66	743,41	543,24	293,08	232,49	165,47	119,05
10.8V	1567,01	1355,25	1134,39	878,54	731,81	534,23	291,44	230,14	163,80	117,84

All mentioned values are average values.