

### APPLICATIONS

- Powerchairs / home mobility equipment
- Scooters, 3- and 4 wheels
- Cleaning Machines
- Lifts (stairs / bathrooms)
- Personal Carriers
- Utility Vehicles

### SPECIFICATIONS

<b>Nominal Voltage</b>	12V	
<b>Nominal capacity @20 hour rate</b>	85Ah	
<b>Capacity at 25°C</b>	10 hour rate	77Ah
	5 hour rate	67Ah
	1 hour rate	48Ah
<b>Shelf time @20°C up to 70%</b>	in months	9
<b>Internal resistance (at 1 KHz)</b>	approx. 5,5 mΩ	
<b>Operating temperature for (dis)charge</b>	-15°C to + 40°C	

### DIMENSIONS

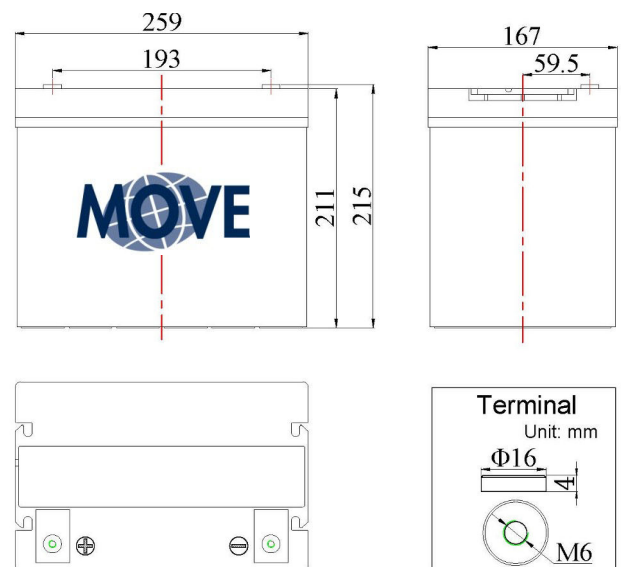
<b>Dimensions LxWxH (T) in mm</b>	260x171x211 (215)
<b>Weight</b>	26,1kg (±2%)
<b>Separator</b>	AGM, Glass Mat
<b>Case and cover</b>	ABS
<b>Terminal</b>	M6 Bolt
<b>Torque setting (recommended)</b>	M6: 7 Nm
<b>Maximum allowable torque value</b>	M6: 9 Nm

### CHARGING

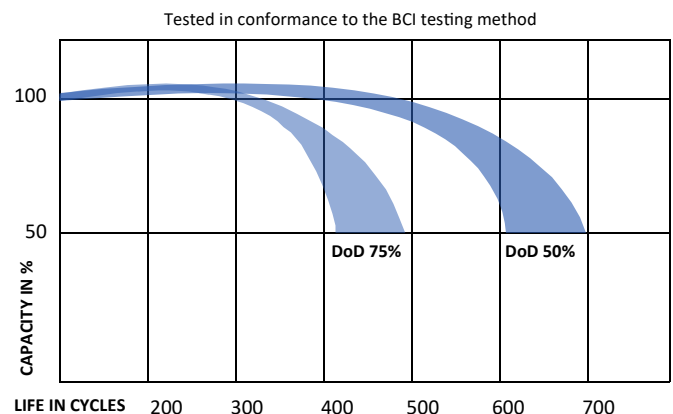
- Charging Voltage cycle use 14,4 to 15 Volt
- Float charge Voltage 13,5 to 13,8 Volt
- Charging current, minimum 8A - maximum 12A

### CYCLE LIFE

To maximize the cycle life of the battery, we recommend to charge the battery fully after use. The total life of the battery, is very dependant on the correct charge and depth of discharge per cycle.



### BATTERY LIFE UNDER CYCLIC USE



\* Cycle life is measured with a discharge current 0,2C, charged 16h and rest capacity of 2/3 Cn